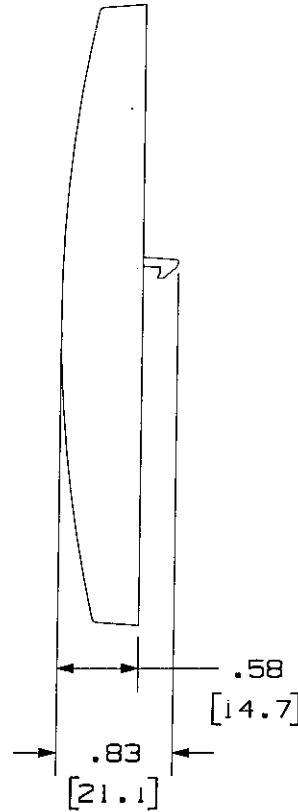
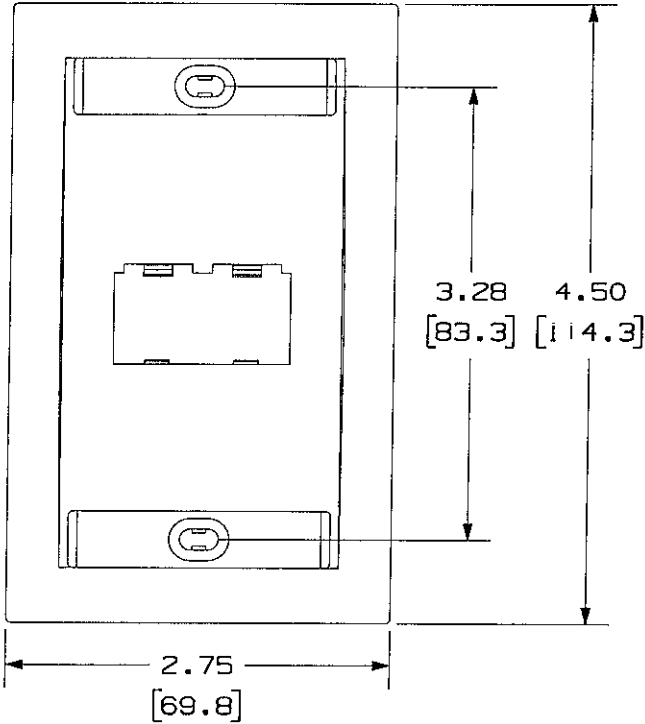


THIS COPY IS PROVIDED ON A RESTRICTED BASIS AND IS NOT TO BE USED IN ANY WAY DETRIMENTAL TO THE INTERESTS OF PANDUIT CORP.

PANDUIT P/N	WEIGHT
CFPE2**Y	.72 LB/10 PCS (326.6 g/10 PCS)



NOTES:

- SEE CURRENT CATALOG FOR ADDITIONAL PART NUMBER SUFFIXES TO INDICATE COLOR AND OR PACKAGE QUANTITY.
- SEE CATALOG FOR COMPLETE LIST OF PARTS APPLICABLE FOR USE WITH THIS PART.
- DIMENSIONS IN [] ARE IN METRIC.
- PART INCLUDES:
 - 1- FACEPLATE
 - 2- LABEL
 - 2- LABEL COVER
 - 2- MOUNTING SCREW

NETWORK SYSTEMS
MAY 25 2006
ENGINEERING DEPT

DRAWING FILENAME MO2479EK_DC117_00A.PRT		SIZE A
MINI-COM 2 POSITION EXECUTIVE SERIES FACEPLATE CUSTOMER DRAWING		
<p>PANDUITTM CORP. TINLEY PARK, ILL 60477</p>	1:1 NUMBER	N/A
	PRODUCT SPEC	N/A
<p>THIRD ANGLE PROJECTION</p>	WORK INSTRUCTION	N/A
	SCALE	NONE
DATE 4-26-06	MATERIAL ABS	PART NO. CFPE2**Y
REV R	DATE 4-26-06	DRAWING NO. 02479-117

R	4-26-06	JsP		RELEASED TO PRODUCTION	02479-117				
REV	DATE	BY	CHK	DESCRIPTION	ECN	R	CUST	SUP	OTH